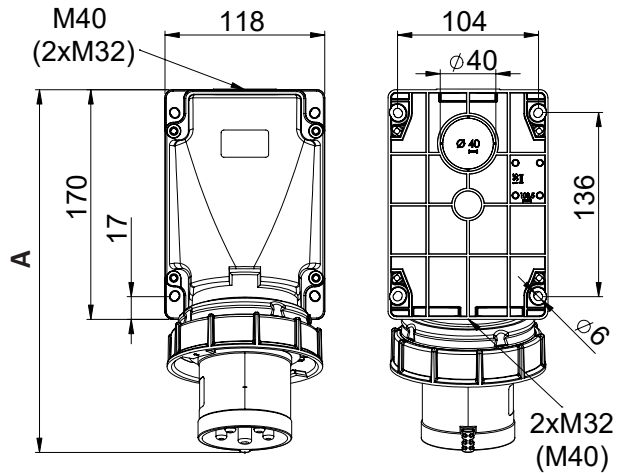


POWtec CEE Wall Mounted Inlets IP67



- Waterproof, IP67
- Screw terminals
- Cable entry from above or behind
- Housing can be rotated 180°
- Nickel-plated contacts with pilot contact



Dimensions (mm)				
Poles	3	4	5	
Current	63A			
A	271	271	271	
B	175	175	175	
Weight (g)	812	864	914	

B = Height, Angle = 15°

Voltage		230 V~	400 V~
Frequency		50/60 Hz	50/60 Hz
Designation		3p = 6h 4p/5p = 9h	3p = 9h 4p/5p = 6h
Current	Poles	Part No.	Part No.
63A	3	POWtecP-363B-S567	-
63A	4	POWtecP-463B-S567	POWtecP-463R-S567
63A	5	POWtecP-563B-S567	POWtecP-563R-S567